

# SDX™ Series Hose Reels

Strong and Versatile for Professional-Grade Performance



## High-Quality Performance and Versatility

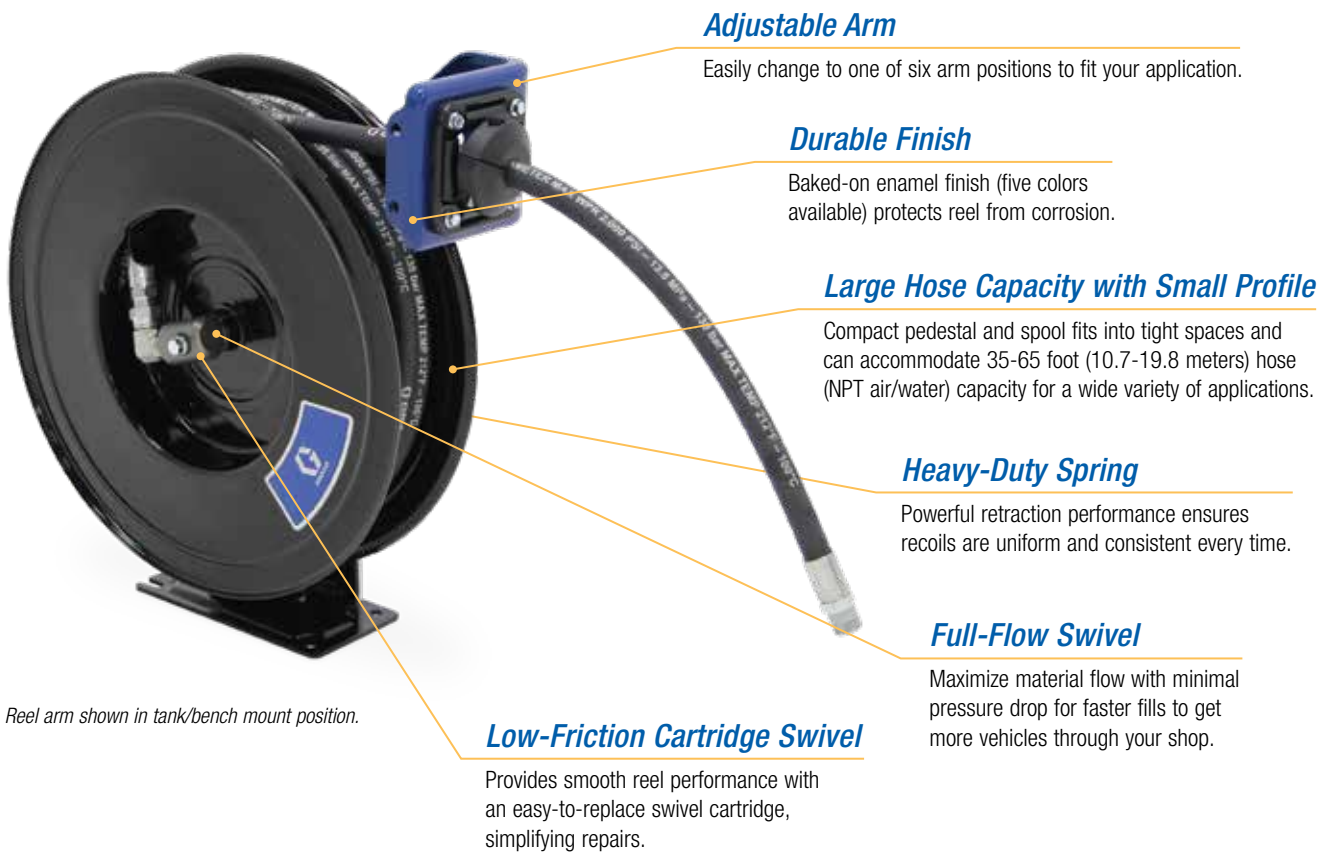
Improve performance along with the look of any environment with Graco's flagship SDX hose reel. Built with specially crafted components, including a rigid metal frame and spool and effortless retraction swivels, it's available in five colors. An easy-to-service swivel cartridge design simplifies maintenance. Retraction and recoil are uniform and consistent every time.



PROVEN QUALITY. LEADING TECHNOLOGY.

# Engineered For Everyday Use

## Extend Performance and Minimize Needed Repairs



Reel arm shown in tank/bench mount position.

### Adjustable Arm

Easily change to one of six arm positions to fit your application.

### Durable Finish

Baked-on enamel finish (five colors available) protects reel from corrosion.

### Large Hose Capacity with Small Profile

Compact pedestal and spool fits into tight spaces and can accommodate 35-65 foot (10.7-19.8 meters) hose (NPT air/water) capacity for a wide variety of applications.

### Heavy-Duty Spring

Powerful retraction performance ensures recoils are uniform and consistent every time.

### Full-Flow Swivel

Maximize material flow with minimal pressure drop for faster fills to get more vehicles through your shop.

### Low-Friction Cartridge Swivel

Provides smooth reel performance with an easy-to-replace swivel cartridge, simplifying repairs.

### Typical Applications

- Car dealerships
- Light-/medium-duty truck dealers
- Fleet maintenance
- Public works garages
- Construction vehicle maintenance
- Light-utility service trucks

### Typical Fluids Handled

- Petroleum- and synthetic-based oils (motor, gear and ATF)
- Air
- Water
- Grease
- Antifreeze/coolant
- Windshield washer fluid

### Technical Specifications

#### Operating Temperature Range

Air/Water/Antifreeze/Windshield Washer Fluid Reels	-20°F to 190°F (-28°C to 87°C)
Oil Reels	-20°F to 190°F (-28°C to 87°C)
Grease Reels	-40°F to 200°F (-40°C to 93°C)

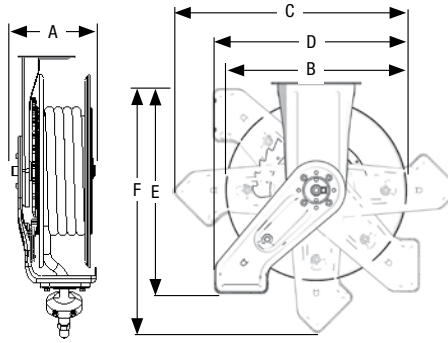
#### Wetted Parts

Air/Water/Antifreeze/Windshield Washer Fluid Reels	Zinc-plated steel, stainless steel, anodized aluminum, nitrile rubber
Oil Reels	Zinc-plated steel, anodized aluminum, nitrile rubber
Grease Reels	Zinc-plated steel, nitrile rubber, steel

Weight	52 lb (23.5 kg)
Sound Pressure Level	80 dB(A)
Sound Power Level	87 dB(A)
Instruction Manual	3A8626

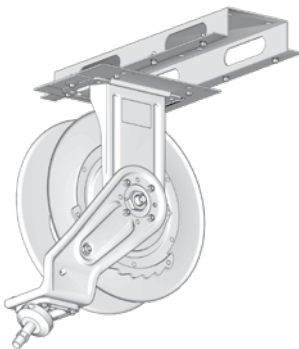
## Dimensions

	SDX 10	SDX 20
A	7.0 in (177 mm)	7.0 in (177 mm)
B	16.2 in (412 mm)	18.1 in (460 mm)
C	21.0 in (533 mm)	23.4 in (594 mm)
D	17.1 in (435 mm)	19.2 in (488 mm)
E	19.5 in (495 mm)	21.8 in (554 mm)
F	22.5 in (571 mm)	25.2 in (640 mm)

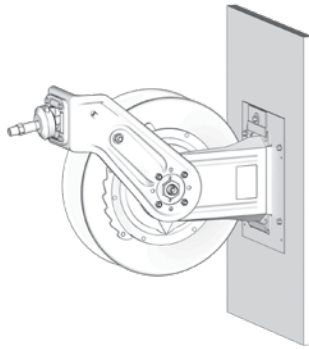


## Typical Mounting Configurations

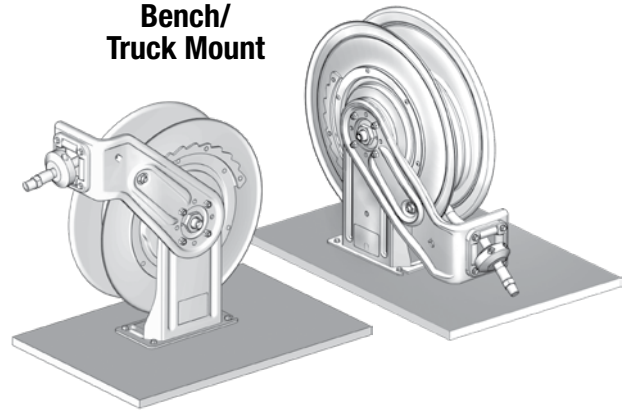
**Ceiling Mount**



**Wall Mount**



**Bench/  
Truck Mount**



Available in  
**5 Colors**  
Consult factory for  
lead times.

**Metallic Blue (B)**



**Yellow (F)**



**Black (D)**



**Red (C)**



**White (A)**



## SDX 10/20 Reel Assembly Ordering Guide

SDX Series reels are available in five colors. Use the chart below to determine the correct part number to order. The last character of each part number indicates the hose reel color.

Reel Color	Identifier
White	A
Metallic Blue	B
Red	C
Black	D
Yellow	F

### Order Example:

Arm in overhead mount position, SDX 20, oil, 1/2 in ID hose, 50 ft hose length

1

Select your reel position:

SDM65#

2

Select your reel color:

Metallic Blue = "B"

(from Reel Assembly Ordering Guide – opposite)

Order Part Number:

SDM65B



## Arm in Overhead Mount Position

Assembled with hose, ball stop kit and roller guide. *Required hose inlet kit sold separately.*

	Reel Size	Fluid	Hose		Connection Size		Maximum Pressure psi (bar)	Assembly Part Number	Recommended Hose Inlet Kit
			ID in (mm)	Length ft (m)	Inlet in (mm)	Outlet in (mm)			
	SDX 10	Air/Water/ Antifreeze/ Windshield Washer Fluid	3/8 (10)	35 (11)	1/2 (13)	3/8 (10)	300 (20.7)	SDL23#	218549
			3/8 (10)	50 (15)	1/2 (13)	3/8 (10)	300 (20.7)	SDL25#	
			1/2 (13)	35 (11)	1/2 (13)	1/2 (13)	300 (20.7)	SDL33#	
	SDX 20		3/8 (10)	65 (20)	1/2 (13)	3/8 (10)	300 (20.7)	SDL56#	
			1/2 (13)	50 (15)	1/2 (13)	1/2 (13)	300 (20.7)	SDL65#	
	SDX 10		Oil	1/2 (13)	35 (11)	1/2 (13)	1/2 (13)	2,000 (138)	
SDX 20		1/2 (13)		50 (15)	1/2 (13)	1/2 (13)	2,000 (138)	SDM65#	
SDX 10	Grease	1/4 (6)	50 (15)	3/8 (10)	1/4 (6)	5,000 (345)	SDH15#	218550	
		3/8 (10)	35 (11)	3/8 (10)	1/4 (6)	4,800 (331)	SDH23#		
		SDX 20	3/8 (10)	50 (15)	3/8 (10)	1/4 (6)	4,800 (331)		SDH55#

## Arm in Tank/Bench Mount Position

Assembled with hose, ball stop kit and roller guide. *Required hose inlet kit sold separately.*

	Reel Size	Fluid	Hose		Connection Size		Maximum Pressure psi (bar)	Assembly Part Number	Recommended Hose Inlet Kit
			ID in (mm)	Length ft (m)	Inlet in (mm)	Outlet in (mm)			
	SDX 20	Air/Water/ Antifreeze/ Windshield Washer Fluid	3/8 (10)	65 (20)	1/2 (13)	3/8 (10)	300 (20.7)	SDL5J#	218549
			1/2 (13)	50 (15)	1/2 (13)	1/2 (13)	300 (20.7)	SDL6H#	
		Oil	1/2 (13)	50 (15)	1/2 (13)	1/2 (13)	2,000 (138)	SDM6H#	218550
		Grease	3/8 (10)	50 (15)	3/8 (10)	1/4 (6)	4,800 (331)	SDH5H#	

## Bare Reels

### Arm in Overhead Mount Position

*Required hose inlet kit sold separately.* Fluid hose not included.

	Reel Size	Fluid	Hose (Not Included)		Connection Size		Maximum Pressure psi (bar)	Assembly Part Number	Recommended Hose Inlet Kit	
			ID in (mm)	Length ft (m)	Inlet in (mm)	Outlet in (mm)				
	SDX 10	Air/Water/ Antifreeze/ Windshield Washer Fluid	3/8 (10)	50 (15)	1/2 (13)	3/8 (10)	300 (20.7)	SDL2D#	218549	
			1/2 (13)	35 (11)	1/2 (13)	3/8 (10)	300 (20.7)	SDL2D#		
	SDX 20		3/8 (10)	65 (20)	1/2 (13)	1/2 (13)	300 (20.7)	SDL6D#		
			1/2 (13)	50 (15)	1/2 (13)	1/2 (13)	300 (20.7)	SDL6D#		
	SDX 10		Oil	1/2 (13)	35 (11)	1/2 (13)	1/2 (13)	2,000 (138)		SDM3B#
	SDX 20			1/2 (13)	50 (15)	1/2 (13)	1/2 (13)	2,000 (138)		SDM6D#
SDX 10	Grease	1/4 (6)	50 (15)	3/8 (10)	3/8 (10)	5,000 (345)	SDH1D#	218550		
SDX 20		3/8 (10)	35 (11)	3/8 (10)	3/8 (10)	5,000 (345)	SDH1D#			
		3/8 (10)	50 (15)	3/8 (10)	3/8 (10)	5,000 (345)	SDH5D#			

## Enclosure Kits for One Reel

Open mounting accommodates up to six reels. Includes all parts necessary to mount on wall or ceiling. Requires mounting channel.

Reel Size	White	Metallic Blue	Red	Black	Dark Blue	Yellow	Required End-Caps (set of 2)
SDX 10	24A217	24A940	24A941	24A942	24A943	24A944	24A950
SDX 20	24A218	24A945	24A946	24A947	24A948	24A949	24A951

## Mounting Channels

Accommodates up to six reels. Includes all parts necessary to mount on wall or ceiling.

Description	1 Reel	2 Reels	3 Reels	4 Reels	5 Reels	6 Reels
Enclosed Reel Mounting Channel	203521	203522	203523	203524	203525	203526
Open Reel Mounting Channel	24A934	24A935	24A936	24A937	24A938	24A939
I-Beam Mounting Bracket*	204741 (x 2)			204741 (x 3)		

\*Secures mounting channel to I-beam without drilling – 2 are required for 1-3 reels, and 3 are required for 4-6 reels.

## Swivel Mounting Bracket

Allows reel to swivel 120° with two lockable positions.

Description	Part Number
Swivel mounting bracket for installing SDX 10 reels	24N444

## Easy Slide-In Mount

Allows reel to slide in and out of mount for easy installation.

Description	Part Number
Ceiling or wall slide-in mount for SDX 10 or SDX 20 reels	24H193

## Retrofit Adapter Kits

Description	Part Number
Includes all parts to mount an SDX 10 hose reel to an existing 250 series mounting pattern with enclosure	24C100

## Hose Inlet Kits

A hose inlet kit is required when ordering an SDX reel.

Maximum Working Pressure psi (bar)	Size in (mm)	Length ft (m)	Part Number
2,000 (137)	1/2 (13)	2 (0.6)	218549
4,000 (276)	3/8 (10)		218550
5,000 (345)	1/4 (6)		224417

## Ball Stop Kits

SDX reel packages include ball stop kits. Items below are available for bare reels and as replacement parts.

Hose Inner Diameter (ID) Size	Part Number
1/4 in (6.4 mm)	222225
1/4 in to 3/8 in (6.4 mm to 9.5 mm)	218340
3/8 in to 1/2 in (9.5 mm to 12.7 mm)	218341
5/8 in (15.9 mm)	237872

## Hose Identification Wraps

Vinyl hose wrap for easy identification of meter fluid.

Description	Part Number
Red	17S659
Blue	17S660
Green	17S661
Yellow	17S662
White	17S663



## AMERICAS

### MINNESOTA

Worldwide Headquarters  
Graco Inc.  
88-11th Avenue N.E.  
Minneapolis, MN 55413

### MAILING ADDRESS

P.O. Box 1441  
Minneapolis, MN 55440-1441  
Tel: 800-275-5574 Fax: 612-623-6777

## EUROPE

### BELGIUM

Graco BVBA  
Industrieterrein-Oude Bunders  
Slakweidestraat 31  
B-3630 Maasmechelen,  
Belgium  
Tel: 32 89 770 700 Fax: 32 89 770 777

## ASIA PACIFIC

### AUSTRALIA

Graco Australia Pty Ltd.  
Suite 17, 2 Enterprise Drive  
Bundoora, Victoria 3083  
Australia  
Tel: 61 3 9468 8500 Fax: 61 3 9468 8599

### CHINA

Graco Fluid Equipment (Shanghai) Co., Ltd.  
Building 7, No.1-2  
Wenshui Road 299,  
Jing'an District  
Shanghai 200436  
P.R.China  
Tel: 86 21 649 50088 Fax: 86 21 649 50077

### INDIA

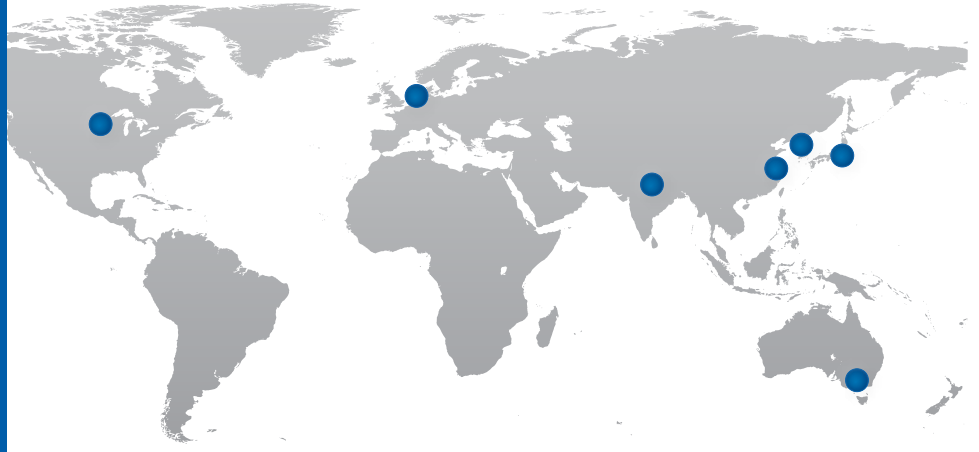
Graco Hong Kong Ltd.  
India Liaison Office  
Room 443, Level 4  
Augusta Point, Golf Course Road  
Gurgaon, Haryana, India 122001  
Tel: 91 124 435 4208 Fax: 91 124 435 4001

### JAPAN

Graco K.K.  
1-27-12 Hayabuchi  
Tsuzuki-ku  
Yokohama City, Japan 2240025  
Tel: 81 45 593 7300 Fax: 81 45 593 7301

### KOREA

Graco Korea Inc.  
Shinhan Bank Building  
4th Floor #1599  
Gwanyang-Dong, Dongan-Ku,  
Anyang-si, Korea 431-060  
Tel: 82 31 476 9400 Fax: 82 31 476 9801



# Graco's got you covered

Facilities Worldwide for Global Support



## Quality First

At Graco we pride ourselves on providing best-in-class products. Engineered solutions are manufactured in our own facilities, with the highest standards in the industry. We provide you with world-class customer support and expertise to help solve your lubrication challenges.



## Global Reach

Graco has facilities and distribution partners across the globe to provide you with the products and service *you* need, where *you* live. Plus, Graco has dedicated field experts in all areas of the world to support the products we sell.



## Product Capabilities

Graco has a broad range of products to provide solutions that meet your needs. Our products are engineered and tested to perform in the harshest environments so you can be certain your equipment is protected and working at peak performance.

©2021 Graco Inc. 353084 Rev. A 9/21 All other brand names or marks are used for identification purposes and are trademarks of their respective owners. All written and visual data contained in this document are based on the latest product information available at the time of publication. Graco reserves the right to make changes at any time without notice. For more information on Graco's intellectual property, see [www.graco.com/patent](http://www.graco.com/patent) or [www.graco.com/trademarks](http://www.graco.com/trademarks).

Contact us today!

Call **800-533-9655** to speak with a Graco representative,  
or visit **[www.graco.com](http://www.graco.com)** for more information.



# XDX™ Series Hose Reels

Extreme Heavy-Duty Hose Reel Performance



## Performance in the Most Demanding Applications

Graco's heavy-duty XDX hose reels are designed to handle fluid delivery tasks in the harshest, most challenging environments. Built with specially crafted components to extend performance for many years, the hose reel includes a robust heavy-gauge, dual-pedestal metal frame; steel spool; sealed components; and unique swivel design to transport fluids consistently and safely without fail.



PROVEN QUALITY. LEADING TECHNOLOGY.

# Extreme Performer

## Sealed to Protect Against Corrosion From Extreme Weather



### Heavy-Duty Adjustable Spring

Powerful retraction performance that allows you to easily increase or decrease spring tension while the reel is pressurized with fluid.

### Full-Flow Swivel

Maximize material flow with minimal pressure drop for faster fills to get more vehicles through your shop.

### Low-Friction Cartridge Swivel

Provides smooth reel performance with an easy-to-replace swivel cartridge, simplifying repairs.

### Optional Adjustable Arm

Easily change to one of six arm positions to fit your application. Order with arm (XD models) or without (XN models).

### Durable Finish

Baked-on enamel finish (four colors available) protects reel from corrosion.

### Large Hose Capacity with Small Profile

Compact pedestal and spool fits into tight spaces and can accommodate 35-65 foot (10.7-19.8 meters) hose capacity for a wide variety of applications.

### Typical Applications

- Heavy-duty truck dealers
- Fleet maintenance
- Mining maintenance
- Public works garage
- Construction vehicle maintenance
- Heavy-duty mobile service trucks
- Mining
- Lube trucks

### Typical Fluids Handled

- Petroleum- and synthetic-based oils (motor, gear and ATF)
- Air
- Water
- Grease
- Antifreeze/coolant
- Windshield washer fluid

### Technical Specifications

#### Operating Temperature Range

Air/Water/Antifreeze/Windshield Washer Fluid	-20°F to 190°F (-28°C to 87°C)
Oil	-20°F to 190°F (-28°C to 87°C)
Grease	-40°F to 200°F (-40°C to 93°C)

#### Wetted Parts

Air/Water/Antifreeze/Windshield Washer Fluid	Zinc-plated steel, stainless steel, anodized aluminum, nitrile rubber
Oil	Zinc-plated steel, anodized aluminum, nitrile rubber
Grease	Zinc-plated steel, polyurethane, steel

#### Weight (Without Hose)

XD Models (With Adjustable Arm)	59 lb (26.5 kg)
XN Models (Without Arm)	52 lb (23.5 kg)

#### Sound Pressure Level

78 dB(A)

#### Sound Power Level

88 dB(A)

#### Instruction Manual

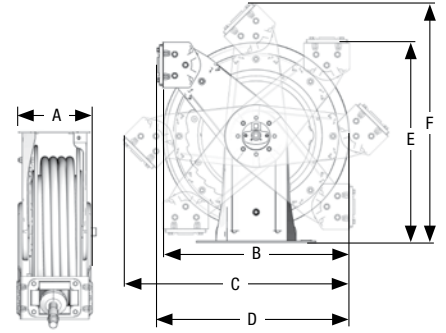
3A8626



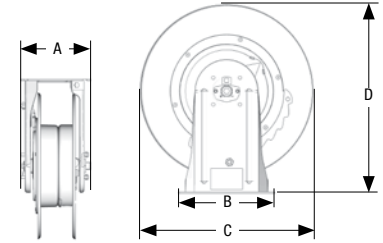
## Dimensions

	XD Models (With Adjustable Arm)		XN Models (Without Arm)
	XDX 10	XDX 20	XDX 20
A	7.5 in (196 mm)	7.5 in (196 mm)	7.5 in (196 mm)
B	16.2 in (412 mm)	18.1 in (460 mm)	18.1 in (460 mm)
C	21.0 in (533 mm)	23.4 in (594 mm)	23.4 in (594 mm)
D	18.0 in (457 mm)	20.0 in (508 mm)	20.0 in (508 mm)
E	18.5 in (470 mm)	21.0 in (533 mm)	–
F	22.5 in (571 mm)	25.2 in (640 mm)	–

**XD Models**

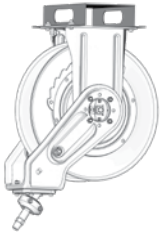


**XN Models**

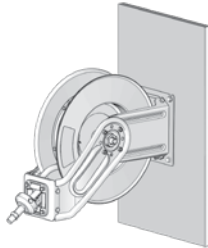


## Typical Mounting Configurations

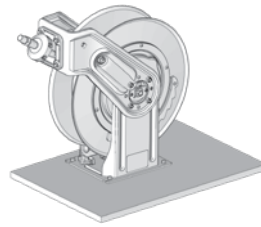
**Ceiling Mount**



**Wall Mount**



**Bench/  
Truck Mount**



**Truck Mount with Remote  
Mounted Roller Guide**



**Metallic Blue (B)**



**Yellow (F)**



**Black (D)**



**White (A)**



## Ordering Information

### XDX 10/20 Reel Assembly Ordering Guide

XDX Series reels are available in three colors. Use the chart below to determine the correct part number to order. The last character of each part number indicates the hose reel color.

Reel Color	Identifier
White	A
Metallic Blue	B
Black	D
Yellow	F

#### Order Example:

Arm in bench/truck mount position,  
XDX 20, oil, 1/2 in ID hose, 50 ft hose length

**1** Select your reel position: XDM65#

**2** Select your reel color: Black = "D"  
(from Reel Assembly Ordering Guide – opposite)


Order Part Number: **XDM65D**



### XD Models (with Adjustable Arm)


#### Reel Assemblies

Assembly includes hose, ball stop kit and roller guide. **Required hose inlet kit sold separately.**

	Reel Size	Fluid	Hose (Included)		Connection Size		Maximum Pressure psi (bar)	Assembly Part Number	Recommended Hose Inlet Kit
			ID in (mm)	Length ft (m)	Inlet	Outlet			
	XDX 10	Air/Water/Antifreeze/Windshield Washer Fluid	3/8 (10)	50 (15)	1/2 NPSM(M)	3/8 NPT(M)	300 (20.7)	XDL25#	218549
			1/2 (13)	35 (11)	1/2 NPSM(M)	1/2 NPT(M)	300 (20.7)	XDL33#	
		Oil	1/2 (13)	35 (11)	1/2 NPSM(M)	1/2 NPT(M)	2,000 (138)	XDM33#	
		Grease	1/4 (6)	50 (15)	3/8 NPSM(M)	1/4 NPT(M)	5,000 (552)	XDH15#	
	XDX 20	Air/Water/Antifreeze/Windshield Washer Fluid	3/8 (10)	65 (20)	1/2 NPSM(M)	3/8 NPT(M)	300 (20.7)	XDL56#	218549
			1/2 (13)	50 (15)	1/2 NPSM(M)	1/2 NPT(M)	300 (20.7)	XDL65#	
		Oil	1/2 (13)	50 (15)	1/2 NPSM(M)	1/2 NPT(M)	2,000 (138)	XDM65#	
		Grease	3/8 (10)	50 (15)	3/8 NPSM(M)	1/4 NPT(M)	4,800 (331)	XDH55#	


### Bare Reels

**Required hose inlet kit sold separately.** Fluid hose not included.

	Reel Size	Fluid	Hose (Not Included)		Connection Size		Maximum Pressure psi (bar)	Part Number	Recommended Hose Inlet Kit
			ID in (mm)	Length ft (m)	Inlet	Outlet			
	XDX 10	Air/Water/Antifreeze/Windshield Washer Fluid	3/8 (10)	65 (20)	1/2 NPSM(M)	3/8 NPSM(F)	300 (20.7)	XDL2D#	218549
		Oil	1/2 (13)	35 (11)	1/2 NPSM(M)	1/2 NPSM(F)	2,000 (138)	XDM3B#	
		Grease	3/8 (10)	35 (11)	3/8 NPSM(M)	3/8 NPSM(F)	8,000 (552)	XDH1D#	
	XDX 20	Air/Water/Antifreeze/Windshield Washer Fluid	1/2 (13)	50 (15)	1/2 NPSM(M)	1/2 NPSM(F)	300 (20.7)	XDL6D#	218549
		Oil	1/2 (13)	50 (15)	1/2 NPSM(M)	1/2 NPSM(F)	2,000 (138)	XDM6D#	
		Grease	3/8 (10)	50 (15)	3/8 NPSM(M)	3/8 NPSM(F)	8,000 (552)	XDH5D#	

### XN Models (without Adjustable Arm)

Includes hose guide kit. **Required hose inlet kit sold separately.**

	Reel Size	Fluid	Hose (Included)		Connection Size		Maximum Pressure psi (bar)	Part Number	Hose Guide Kit (Included)	Recommended Hose Inlet Kit
			ID in (mm)	Length ft (m)	Inlet	Outlet				
	XDX 20	Air/Water/Antifreeze/Windshield Washer Fluid	3/8 (10)	65 (20)	1/2 NPSM(M)	3/8 NPT(M)	300 (20.7)	XNL56D	15Y478	218549
			1/2 (13)	50 (15)	1/2 NPSM(M)	1/2 NPT(M)	300 (20.7)	XNL65D		
		Oil	1/2 (13)	50 (15)	1/2 NPSM(M)	1/2 NPT(M)	2,000 (138)	XNM65D		
		Grease	3/8 (10)	50 (15)	3/8 NPSM(M)	1/4 NPT(M)	4,800 (331)	XNH55D		

## Enclosure Kits for One Reel

Open mounting accommodates up to six reels. Includes all parts necessary to mount on wall or ceiling. Requires Enclosed Reel Mounting Channel.

Reel Size	White	Metallic Blue	Red	Black	Dark Blue	Yellow	Required End-Caps (set of 2)
XDX 10	24N331	24N332	24N333	24N334	24N335	24N336	24A950
XDX 20	24N337	24N339	24N340	24N341	24N342	24N343	24A951

## Mounting Channels

Accommodates up to six reels. Includes all parts necessary to mount on wall or ceiling.

Description	1 Reel	2 Reels	3 Reels	4 Reels	5 Reels	6 Reels
Enclosed Reel Mounting Channel	24N323	24N324	24N325	24N326	24N327	24N328
Open Reel Mounting Channel	24A219	24A220	24A221	24A222	24A222	24A222
I-Beam Mounting Bracket*	204741 (x 2)			204741 (x 3)		

\*Secures mounting channel to I-beam without drilling – 2 are required for 1-3 reels, and 3 are required for 4-6 reels.

## Retrofit Adapter Kits

Description	Part Number
Includes all parts to mount hose reel to existing 500 series mounting pattern without enclosure	24A224
Includes all parts to convert XDX 20 hose reels to fit existing 500 series enclosures	24P914

## Hose Inlet Kits

A hose inlet kit is required when ordering an XDX reel.

Maximum Working Pressure psi (bar)	Size in (mm)	Length ft (m)	Part Number
2,000 (137)	1/2 (13)	2 (0.6)	218549
4,000 (276)	3/8 (10)		218550
5,000 (345)	1/4 (6)		224417

## Ball Stop Kits

XDX reel packages include ball stop kits. Items below are available for bare reels and as replacement parts.

Hose Inner Diameter (ID) Size	Part Number
For 1/4 in (6 mm) ID hose (not compatible with XD 30, 700 or 750)	222225
For 1/4 in to 3/8 in (6 mm to 10 mm) ID hose (not for use with XD 30, 700 or 750)	218340
0.782 in ID used for 3/8 in and 1/2 in (10 mm and 13 mm) hose (not compatible with XD 30, 700 or 750)	218341
1.0 in ID used for 5/8 in (16 mm) hose	237872
1.123 in ID used for 3/4 in (19 mm) hose	237873
1.374 in ID used for 1 in (25 mm) hose	237874
For 3/8 in (10 mm) ID hose	24D132
For 1/2 in (13 mm) ID hose	24D133

## Valve Hanger Kit

Description	Part Number
Mounts to side of reel to allow hanging of non-metered and high-flow dispensing valves	224444

## Self-Adhesive Identification Label Set

Description	Part Number
Set includes: 1 in x 5 in (25.4 mm x 127 mm) hose reel labels for Antifreeze, Water, SAE 5-40, SAE 10-40, SAE 20W, Hydraulic, Gear, SAE 10W, SAE 10-30, SAE 30W, Dexron, Air, Chassis, ATF	180698

## Hose Identification Wraps

Vinyl hose wrap for easy identification of meter fluid.

Description	Part Number
Red	17S659
Blue	17S660
Green	17S661
Yellow	17S662
White	17S663

## AMERICAS

### MINNESOTA

Worldwide Headquarters  
Graco Inc.  
88-11th Avenue N.E.  
Minneapolis, MN 55413

### MAILING ADDRESS

P.O. Box 1441  
Minneapolis, MN 55440-1441  
Tel: 800-275-5574 Fax: 612-623-6777

## EUROPE

### BELGIUM

Graco BVBA  
Industrieterrein-Oude Bunders  
Slakweidestraat 31  
B-3630 Maasmechelen,  
Belgium  
Tel: 32 89 770 700 Fax: 32 89 770 777

## ASIA PACIFIC

### AUSTRALIA

Graco Australia Pty Ltd.  
Suite 17, 2 Enterprise Drive  
Bundoora, Victoria 3083  
Australia  
Tel: 61 3 9468 8500 Fax: 61 3 9468 8599

### CHINA

Graco Fluid Equipment (Shanghai) Co., Ltd.  
Building 7, No.1-2  
Wenshui Road 299,  
Jing'an District  
Shanghai 200436  
P.R.China  
Tel: 86 21 649 50088 Fax: 86 21 649 50077

### INDIA

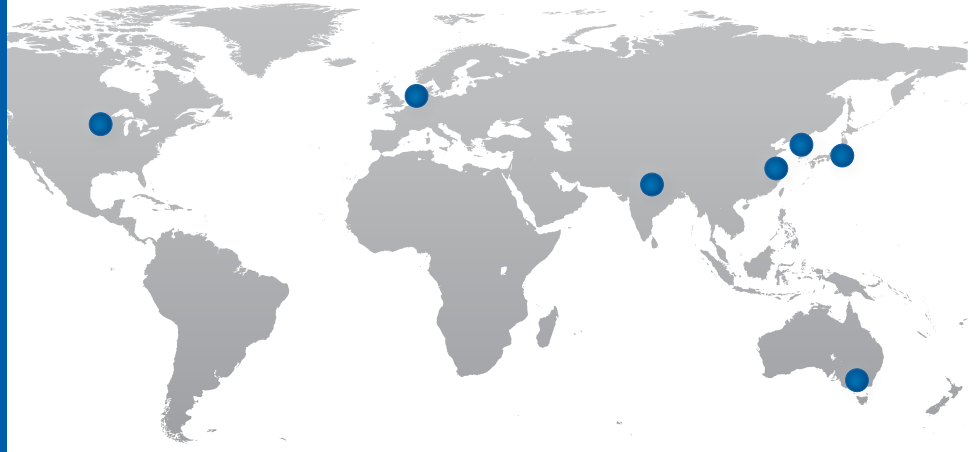
Graco Hong Kong Ltd.  
India Liaison Office  
Room 443, Level 4  
Augusta Point, Golf Course Road  
Gurgaon, Haryana, India 122001  
Tel: 91 124 435 4208 Fax: 91 124 435 4001

### JAPAN

Graco K.K.  
1-27-12 Hayabuchi  
Tsuzuki-ku  
Yokohama City, Japan 2240025  
Tel: 81 45 593 7300 Fax: 81 45 593 7301

### KOREA

Graco Korea Inc.  
Shinhan Bank Building  
4th Floor #1599  
Gwanyang-Dong, Dongan-Ku,  
Anyang-si, Korea 431-060  
Tel: 82 31 476 9400 Fax: 82 31 476 9801



# Graco's got you covered

Facilities Worldwide for Global Support



## Quality First

At Graco we pride ourselves on providing best-in-class products. Engineered solutions are manufactured in our own facilities, with the highest standards in the industry. We provide you with world-class customer support and expertise to help solve your lubrication challenges.



## Global Reach

Graco has facilities and distribution partners across the globe to provide you with the products and service *you* need, where *you* live. Plus, Graco has dedicated field experts in all areas of the world to support the products we sell.



## Product Capabilities

Graco has a broad range of products to provide solutions that meet your needs. Our products are engineered and tested to perform in the harshest environments so you can be certain your equipment is protected and working at peak performance.

©2021 Graco Inc. 353085 Rev. A 9/21 All other brand names or marks are used for identification purposes and are trademarks of their respective owners. All written and visual data contained in this document are based on the latest product information available at the time of publication. Graco reserves the right to make changes at any time without notice. For more information on Graco's intellectual property, see [www.graco.com/patent](http://www.graco.com/patent) or [www.graco.com/trademarks](http://www.graco.com/trademarks).

Contact us today!

Call **800-533-9655** to speak with a Graco representative,  
or visit **[www.graco.com](http://www.graco.com)** for more information.

